

Inductive Sensors



Housing Style	Part Number	ID Number	Features	Sensing Range (mm)	Output
18 mm - Embeddable, Potted-in Cable 	Bi 8U-EM18WD-AN6X	M1634840	<i>Uprox+</i> , Washdown	8	3-Wire DC NPN
	Bi 8U-M18-AN6X	M1644736	<i>Uprox+</i>	8	
	Bi 8U-MT18-AN6X	M1634907	<i>Uprox+</i>	8	
	Bi 8U-EM18WD-AP6X	M1634815	<i>Uprox+</i> , Washdown	8	3-Wire DC PNP
	Bi 8U-M18-AP6X	M1644733	<i>Uprox+</i>	8	
	Bi 8U-MT18-AP6X	M1644754	<i>Uprox+</i>	8	
18 mm - Nonembeddable, Potted-in Cable 	Ni 15U-EM18WD-AN6X	M1634836	<i>Uprox+</i> , Washdown	15	3-Wire DC NPN
	Ni 15U-M18-AN6X	M1635334	<i>Uprox+</i>	15	
	Ni 15U-EM18WD-AP6X	M1634817	<i>Uprox+</i> , Washdown	15	3-Wire DC PNP
	Ni 15U-M18-AP6X	M1635330	<i>Uprox+</i>	15	

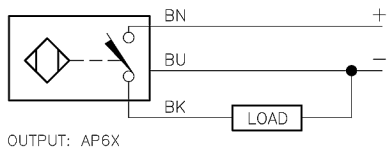


Voltage	Switching Freq. (Hz)	Operating Current (mA)	Operating Temp. (°C)	Protection	Housing	Face	Power LED	Output LED	Mating Cordset	Wiring Diagram #	Wiring Diagrams
10-30 VDC	1500	≤200	0 to +85	IP 68, 69K	SS	LCP	N/A	YE	2M/PUR	3	<div style="border: 1px solid black; padding: 5px; margin-bottom: 5px;"> Diagram 3 </div> <div style="border: 1px solid black; padding: 5px; margin-bottom: 5px;"> Diagram 4 </div>
	1500	≤200	-25 to +75	IP 68	CPB	LCP	N/A	YE	2M/PVC	3	
	1500	≤200					LCP	N/A	YE	3	
10-30 VDC	1500	≤200	0 to +85	IP 68, 69K	SS	LCP	N/A	YE	2M/PUR	4	
	1500	≤200	-25 to +75	IP 68	CPB	LCP	N/A	YE	2M/PVC	4	
	1500	≤200				LCP	N/A	YE	4		
10-30 VDC	1000	≤200	0 to +85	IP 68, 69K	SS	LCP	N/A	YE	2M/PUR	3	
	1000	≤200	-25 to +75	IP 68	CPB	LCP	N/A	YE	2M/PVC	3	
10-30 VDC	1000	≤200	0 to +85	IP 68, 69K	SS	LCP	N/A	YE	2M/PUR	4	
	1000	≤200	-25 to +75	IP 68	CPB	LCP	N/A	YE	2M/PVC	4	

Uprox+

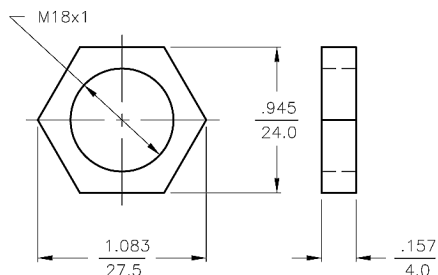
* Length in meters.

WIRING DIAGRAM



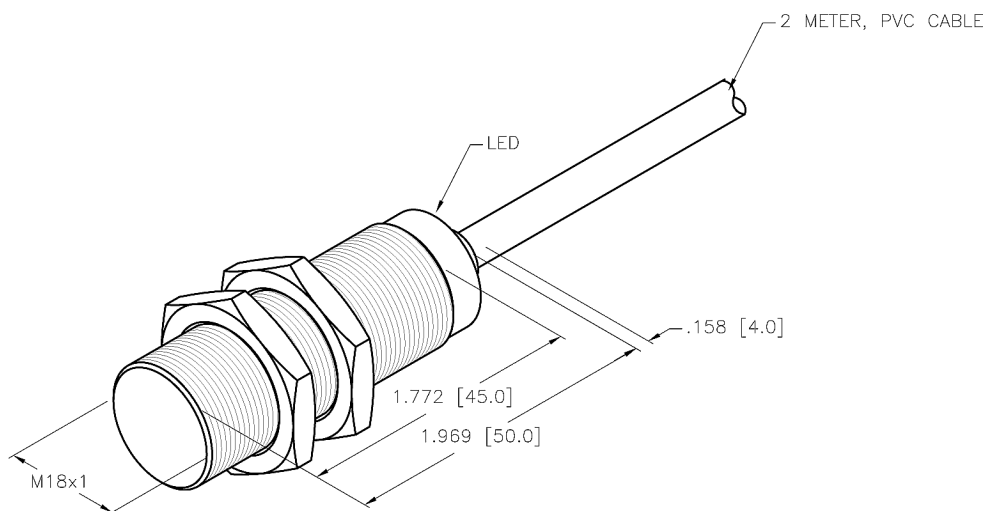
SHORT-CIRCUIT AND OVERLOAD PROTECTED

LOCKNUT LN-M18



SPECIFICATIONS

RATED OPERATING DISTANCE	8mm [.315]
MOUNTING MODE	FLUSH
TEMPERATURE DRIFT	≤±10%
HYSTERESIS	3-15%
MIN. REPEAT ACCURACY	≤2%
OPERATING TEMPERATURE	-25°C to +75°C (-13°F to +167°F)
RATED OPERATIONAL VOLTAGE	10-30 VDC
MAX. RIPPLE	≤10%
RATED OPERATIONAL CURRENT	≤200 mA
NO-LOAD CURRENT	≤15 mA
MAX. OFF-STATE CURRENT	≤0.1 mA
RATED INSULATION VOLTAGE	≤0.5 kV
SHORT-CIRCUIT PROTECTION	YES
MAX. VOLTAGE DROP	≤1.8 V
WIRE BREAKAGE PROTECTION	INCORPORATED
REVERSE POLARITY PROTECTION	INCORPORATED
OUTPUT FUNCTION	3-WIRE, NORMALLY OPEN, PNP
MAX. SWITCHING FREQUENCY	≤1.5 kHz
HOUSING MATERIAL	BRASS, CHROME PLATED
ACTIVE FACE	PLASTIC, LCP-GF30
END CAP	PLASTIC, EPTR
CABLE	Ø5.2, LifyY, PVC, 2 METER LENGTH
VIBRATION RESISTANCE	55 Hz (IN ALL 3 PLANES)
SHOCK RESISTANCE	30 g, 11 ms
DEGREE OF PROTECTION	IP 68
SWITCHING STATUS INDICATION	LED, YELLOW



SOURCE DRAWING - FOR REFERENCE ONLY

NOTES:

1. UPROX HAS IMMUNITY TO AC AND DC WELD FIELDS.

RELATED DOCUMENTS 1. 2. 3. 4.	3RD ANGLE PROJECTION	THIS DRAWING IS PROPERTY OF TURCK INC. USE OF THIS DOCUMENT WITHOUT WRITTEN PERMISSION IS PROHIBITED.	 High Technology Sensors and Automation Controls	
	TOLERANCES UNLESS OTHERWISE SPECIFIED			
MATERIAL	.X ±0.02 .XX ±0.01 .XXX ±0.005 ANGLES ±1° ALL MILLIMETER DIMENSIONS ARE REFERENCE ONLY	UNIT OF MEASUREMENT		IDENTIFICATION NO.
FINISH		INCH [MILLIMETER] DO NOT SCALE THIS DRAWING		
A DRAWING RELEASE RDS 09/20/05 REV DESCRIPTION BY DATE ECO NO.		FILE: M1644733 SHEET 1 OF 1		